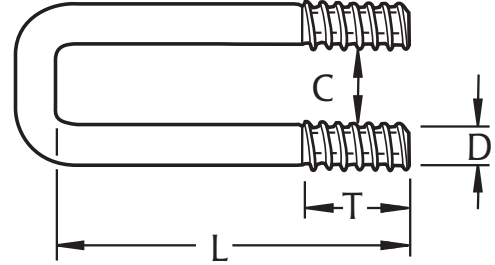


QUOTATION / ORDER FORM



Specify Sizes needed

C _____
D _____
L _____
T _____



U-Bolt
(Right Angle Bend)

Material _____
Finish _____
End Use _____

Delivery Needed _____
Quantity _____

Name _____
Title _____
Company _____
Address _____
Address _____
City _____
State _____
Zip _____

Phone _____
Fax _____
e-mail _____
cell _____
Comments _____

MAIN OFFICE
Hindley Mfg. Co., Inc. Phone: (401) 722-2550
P.O. Box 38, 9 Havens Street (800) 323-9031
Cumberland, RI 02864 Fax: (401) 722-3083

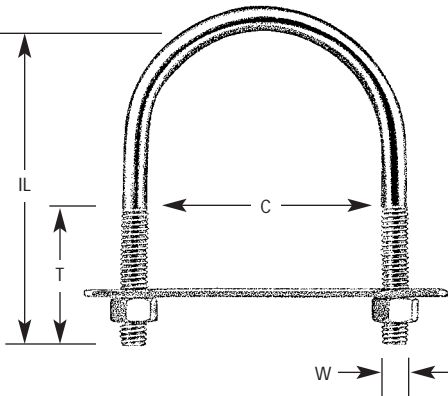
WEST COAST WAREHOUSE
Hindley Mfg. Co., Inc. Phone: (401) 722-2550
13745 Yorba Avenue (800) 323-9031
Chino, CA 91710 Fax: (401) 722-3083

Stainless Steel

R U S T P R O O F

STAINLESS STEEL U-BOLTS W/NUTS AND PLATES

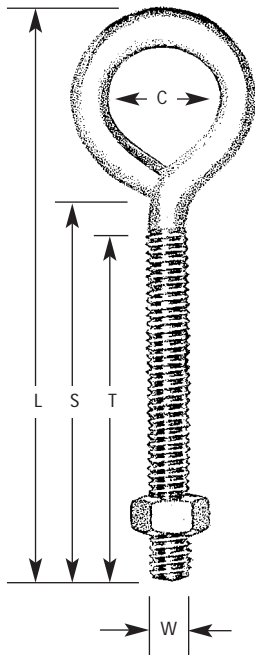
Numbers Dimensions



Model No.	Item No.	Width Between Legs (C)	Inside Length (IL)	Thread Length (T)	Fits Pipe Size	Wire Diameter (D)	Thread Size (W)	Pcs. Per Shelf Box	Pcs. Per Case	Lbs. Per 100 Pcs.
14417	303SS	3/4"	2 3/4"	2"	3/8"	.214	1/4-20	10	100	9.4
14421	304SS	1"	1 3/4"	1"	1/2"	.214	1/4-20	10	100	9.7
14424	308SS	1 1/8"	2 1/2"	1 1/2"	3/4"	.214	1/4-20	10	100	10.4
14426	309SS	1 3/8"	2 3/4"	1 3/4"	1"	.214	1/4-20	10	100	11.3
14427	310SS	2"	3 1/2"	1 3/4"	1 1/2"	.214	1/4-20	10	100	16.6
14430	320SS	1 3/8"	2 1/2"	1 1/4"	1"	.273	5/16-18	10	100	17.8
14431	381SS	1 3/8"	3 3/4"	2 1/8"	1"	.273	5/16-18	10	100	22.8
14433	322SS	1 3/4"	3"	1 1/2"	1 1/4"	.273	5/16-18	10	100	20.6
14435	383SS	1 3/4"	4 1/4"	2 1/2"	1 1/4"	.273	5/16-18	10	100	25.4
14436	327SS	2 1/2"	3 1/2"	1 1/2"	2"	.273	5/16-18	10	100	23.0
14470	385SS	2"	3 11/16"	2"	1 1/2"	.273	5/16-18	10	100	23.0
14441	386SS	2"	4 11/16"	2 3/4"	1 1/2"	.273	5/16-18	10	100	27.2
14443	389SS	2 1/2"	5 3/16"	3"	2"	.273	5/16-18	10	100	32.0
14437	330SS	2 1/2"	3 5/8"	1 3/4"	2"	.330	3/18-16	10	100	30.1
14438	332SS	3"	4 1/8"	1 3/4"	2 1/2"	.330	3/18-16	10	100	40.0
14439	334SS	3 1/2"	4 5/8"	2"	3"	.330	3/18-16	10	100	43.5

STAINLESS STEEL EYEBOLTS WITH NUT

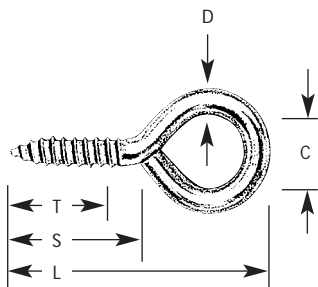
Numbers Dimensions



Model No.	Item No.	Thread Dia. X O.A. Length (L)	Shank Length (S)	Thread Length (T)	Inside Eye Dia. (C)	Thread Size (W)	Wire Diameter	Pcs. Per Shelf Box	Pcs. Per Case	Lbs. Per 100 Pcs.
14299	2-ASS	3/16" x 1 1/2"	3/4"	3/4"	3/8"	10-24	.160	10	100	2.4
14301	2SS	3/16" x 2"	1 5/16"	1 5/16"	5/16"	10-24	.160	10	100	2.5
14303	4-S2SS	1/4" x 2"	1"	7/8"	9/16"	1/4-20	.214	10	100	4.6
14305	4SS	1/4" x 2 5/8"	1 7/8"	1 3/4"	3/8"	1/4-20	.214	10	100	4.9
14307	4-S3SS	1/4" x 3"	2"	1 3/4"	9/16"	1/4-20	.214	10	100	5.8
14309	4-ASS	1/4" x 4"	3"	2 3/4"	9/16"	1/4-20	.214	10	100	6.8
14311	5SS	5/16" x 3 1/4"	1 7/8"	1 3/4"	1/2"	5/16-18	.273	10	100	9.4
14313	5-ASS	5/16" x 4"	2 5/8"	2 1/2"	3/4"	5/16-18	.273	10	100	11.3
14314	5-BSS	5/16" x 5"	3 1/2"	3"	3/4"	5/16-18	.273	10	100	14.0
14312	5-CSS	5/16" x 6"	4 1/2"	3"	3/4"	5/16-18	.273	10	100	13.8
14316	5-ESS	5/16" x 8"	6 1/2"	3"	3/4"	5/16-18	.273	10	100	17.1
14315	6SS	3/8" x 3 7/8"	2 1/2"	2 3/8"	5/8"	3/8-16	.332	10	100	15.9
14322	6-RSS	3/8" x 4"	2 1/4"	2"	1"	3/8-16	.332	10	100	18.0
14323	6-ASS	3/8" x 5"	3 1/4"	3"	1"	3/8-16	.332	10	100	21.0
14317	6-BSS	3/8" x 6"	4 1/4"	3"	1"	3/8-16	.332	10	100	23.9
14319	6-CSS	3/8" x 8"	6 1/4"	3 7/8"	1"	3/8-16	.332	10	100	28.6
14327	8-RSS	1/2" x 4"	1 3/4"	1 1/4"	1 1/4"	1/2-13	.445	10	100	32.7
14328	8SS	1/2" x 6"	3 3/4"	3"	1 1/4"	1/2-13	.445	10	100	44.9
14329	8-ASS	1/2" x 8"	5 3/4"	3 7/8"	1 1/4"	1/2-13	.445	10	100	50.2
14330	8-BSS	1/2" x 10"	7 3/4"	3 7/8"	1 1/4"	1/2-13	.445	10	100	59.3
14332	8-CSS	1/2" x 12"	9 3/4"	3 7/8"	1 1/4"	1/2-13	.445	10	100	71.3

STAINLESS STEEL SCREW EYES

Numbers Dimensions



Model No.	Item No.	O.A. Length (L)	Shank Length (S)	Thread Length (T)	I.D. Eye (C)	Wire Diameter (D)	Pcs. Per Shelf Box	Pcs. Per Case	Lbs. Per 100 Pcs.
14370	OSSE	2 7/8"	1 5/16"	1 5/16"	13/16"	.307	20	200	10.2
14371	2SSE	2 5/8"	1 1/4"	1 1/8"	3/4"	.250	20	200	6.9
14372	4SSE	2 3/16"	1 1/8"	1"	5/8"	.214	20	200	4.3
14374	8SSE	1 5/8"	3/4"	5/8"	1/2"	.160	20	200	1.6